



INSTALLATION INSTRUCTIONS FOR:

Spring Steel Deployable Retrofit

Revision C

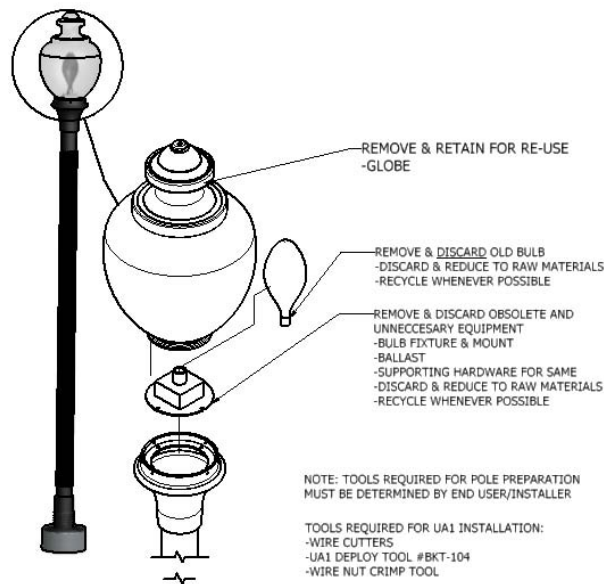


CAUTION:

1. TURN OFF ALL POWER TO POLE BEFORE SERVICING
2. ONLY QUALIFIED PERSONNEL SHOULD PERFORM INSTALLATION OR SERVICING OF FIXTURES

POLE PREPARATION

1. Tools required for pole preparation must be determined by end user/installer. Tools required for spring steel deployable retrofit are: wire cutters, wire nut crimp tool.
2. Lamp bulb may be hot; make sure lamp bulb is cool prior to removal.



3. Remove and retain globe.
4. Remove and discard old bulb, obsolete and unnecessary equipment, bulb fixture, mount ballast and supporting hardware. Discard and reduce to raw materials and recycle whenever possible.
5. The pole and fitter are to be cleared of existing bulb(s), lamp fixture base and existing power supply.



THIS LED FIXTURE IS A HIGHLY ADVANCED, ENERGY EFFICIENT PRODUCT THAT WILL PROVIDE THE END USER WITH YEARS OF DEPENDABLE SERVICE. IT WILL DO SO ONLY IF INSTALLED PROPERLY IN ACCORDANCE WITH THE NATIONAL ELECTRIC CODE AND OR LOCAL CODE SPECIFICATIONS. FAILURE TO ADHERE TO THESE CODES AND RESTRICTIONS MAY RESULT IN SERIOUS INJURY, DAMAGE TO ADJACENT EQUIPMENT, FIXTURE AND OR POWER SUPPLY AND WILL VOID THE WARRANTY. THE INSTALLATION INSTRUCTIONS DO NOT SUPPORT ALL DETAILS OR VARIATIONS IN EQUIPMENT, NOR DO THEY PROVIDE FOR ALL POSSIBLE CONTINGENCIES RELATED TO THE INSTALLATION, SERVICE OR MOUNTING SITUATION. SHOULD SPECIFIC PROBLEMS OCCUR THAT ARE NOT COVERED BY THE ATTACHED INSTALLATION INSTRUCTIONS, PLEASE CONTACT YOUR SALES REPRESENTATIVE OR DISTRIBUTOR FOR ASSISTANCE. RETAIN THESE INSTALLATION INSTRUCTIONS FOR FUTURE USE. DO NOT MODIFY THIS LIGHTING DEVICE FOR ANY REASON. THESE DEVICES HAVE BEEN DESIGNED FOR MAXIMUM PERFORMANCE AND EASE OF INSTALLATION. ANY MODIFICATIONS WILL VOID THE WARRANTY.



INSTALLATION INSTRUCTIONS FOR:

Spring Steel Deployable Retrofit

Revision C

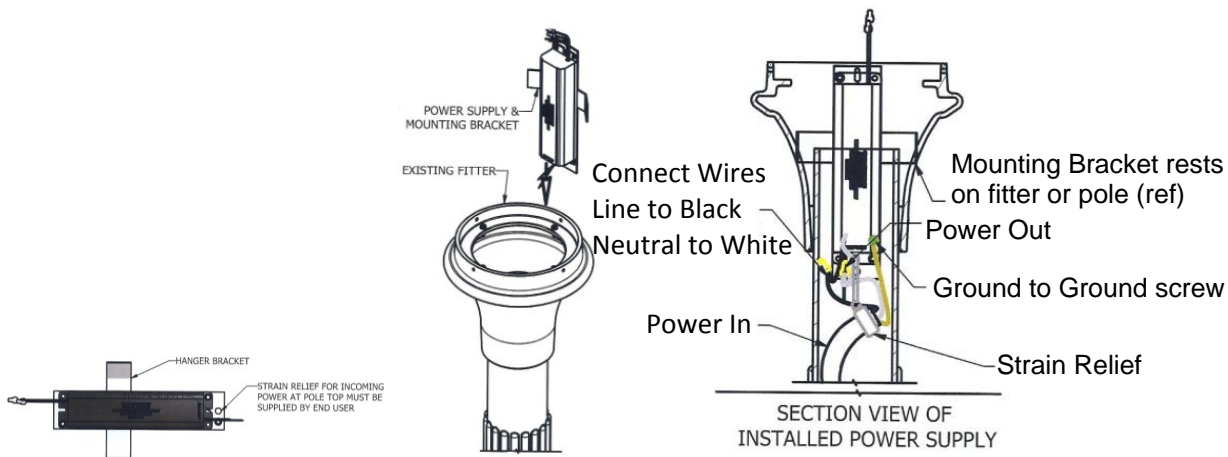


CAUTION:

1. TURN OFF ALL POWER TO POLE BEFORE SERVICING
2. ONLY QUALIFIED PERSONNEL SHOULD PERFORM INSTALLATION OR SERVICING OF FIXTURES

POWER SUPPLY INSTALLATION

6. Remove the power supply and bracket from the box. Check to make certain that voltage rating of power supply matches that of the installation site.
7. The installer is to determine the best suitable location for the provided power supply.



8. Obtain and retain "Power In" cable. Affix an appropriate strain relief to "Power In" cable. Secure other end of strain relief to power supply bracket as shown.
9. Connect "Power In" to power supply by connecting the line "Power In" wire to the black wire on the power supply. Connect the neutral "Power In" wire to the white wire on the power supply. Connect the ground wire to power supply mounting bracket with the ground screw.
10. The power supply and mounting bracket are designed to be suspended in the top portion of the fitter base as shown above.



THIS LED FIXTURE IS A HIGHLY ADVANCED, ENERGY EFFICIENT PRODUCT THAT WILL PROVIDE THE END USER WITH YEARS OF DEPENDABLE SERVICE. IT WILL DO SO ONLY IF INSTALLED PROPERLY IN ACCORDANCE WITH THE NATIONAL ELECTRIC CODE AND OR LOCAL CODE SPECIFICATIONS. FAILURE TO ADHERE TO THESE CODES AND RESTRICTIONS MAY RESULT IN SERIOUS INJURY, DAMAGE TO ADJACENT EQUIPMENT, FIXTURE AND OR POWER SUPPLY AND WILL VOID THE WARRANTY. THE INSTALLATION INSTRUCTIONS DO NOT SUPPORT ALL DETAILS OR VARIATIONS IN EQUIPMENT, NOR DO THEY PROVIDE FOR ALL POSSIBLE CONTINGENCIES RELATED TO THE INSTALLATION, SERVICE OR MOUNTING SITUATION. SHOULD SPECIFIC PROBLEMS OCCUR THAT ARE NOT COVERED BY THE ATTACHED INSTALLATION INSTRUCTIONS, PLEASE CONTACT YOUR SALES REPRESENTATIVE OR DISTRIBUTOR FOR ASSISTANCE. RETAIN THESE INSTALLATION INSTRUCTIONS FOR FUTURE USE. DO NOT MODIFY THIS LIGHTING DEVICE FOR ANY REASON. THESE DEVICES HAVE BEEN DESIGNED FOR MAXIMUM PERFORMANCE AND EASE OF INSTALLATION. ANY MODIFICATIONS WILL VOID THE WARRANTY.



INSTALLATION INSTRUCTIONS FOR:

Spring Steel Deployable Retrofit

Revision C

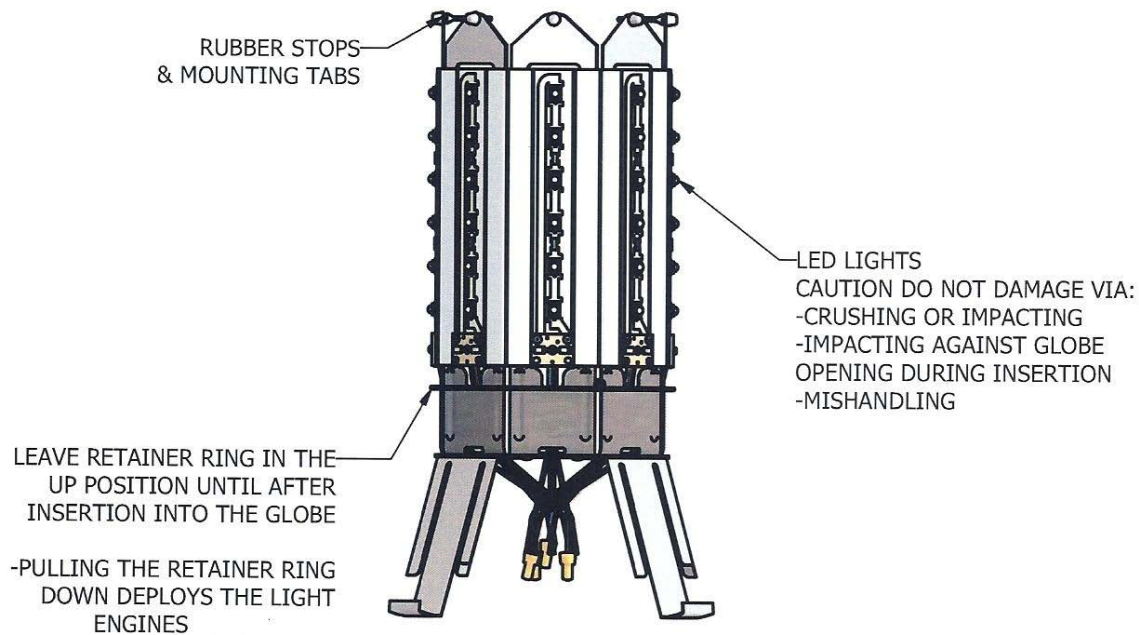


CAUTION:

1. TURN OFF ALL POWER TO POLE BEFORE SERVICING
2. ONLY QUALIFIED PERSONNEL SHOULD PERFORM INSTALLATION OR SERVICING OF FIXTURES

RETROFIT UNIT INSTALLATION

11. Remove the retrofit unit from the box and packaging.



12. Invert retrofit light assembly and carefully guide unit through the globe opening.

13. Snap light assembly legs onto globe as shown below.



THIS LED FIXTURE IS A HIGHLY ADVANCED, ENERGY EFFICIENT PRODUCT THAT WILL PROVIDE THE END USER WITH YEARS OF DEPENDABLE SERVICE. IT WILL DO SO ONLY IF INSTALLED PROPERLY IN ACCORDANCE WITH THE NATIONAL ELECTRIC CODE AND OR LOCAL CODE SPECIFICATIONS. FAILURE TO ADHERE TO THESE CODES AND RESTRICTIONS MAY RESULT IN SERIOUS INJURY, DAMAGE TO ADJACENT EQUIPMENT, FIXTURE AND OR POWER SUPPLY AND WILL VOID THE WARRANTY. THE INSTALLATION INSTRUCTIONS DO NOT SUPPORT ALL DETAILS OR VARIATIONS IN EQUIPMENT, NOR DO THEY PROVIDE FOR ALL POSSIBLE CONTINGENCIES RELATED TO THE INSTALLATION, SERVICE OR MOUNTING SITUATION. SHOULD SPECIFIC PROBLEMS OCCUR THAT ARE NOT COVERED BY THE ATTACHED INSTALLATION INSTRUCTIONS, PLEASE CONTACT YOUR SALES REPRESENTATIVE OR DISTRIBUTOR FOR ASSISTANCE. RETAIN THESE INSTALLATION INSTRUCTIONS FOR FUTURE USE. DO NOT MODIFY THIS LIGHTING DEVICE FOR ANY REASON. THESE DEVICES HAVE BEEN DESIGNED FOR MAXIMUM PERFORMANCE AND EASE OF INSTALLATION. ANY MODIFICATIONS WILL VOID THE WARRANTY.



INSTALLATION INSTRUCTIONS FOR:

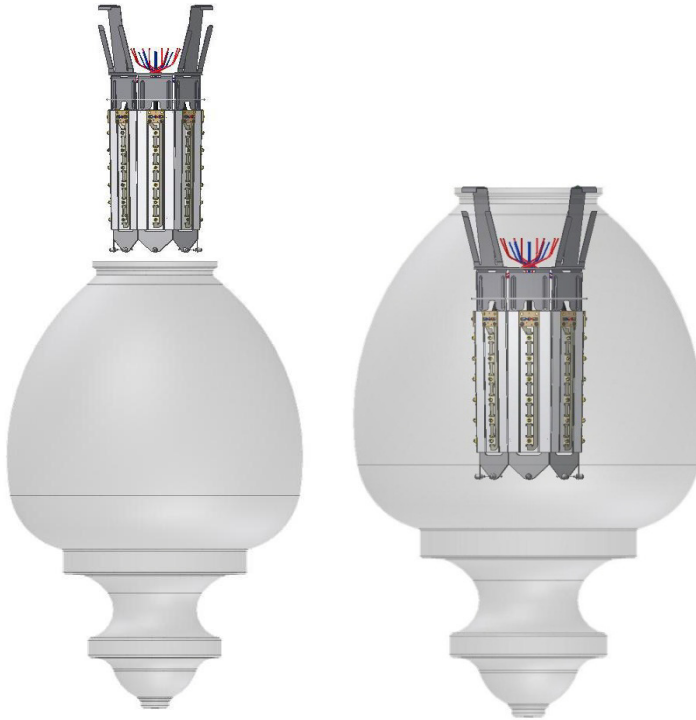
Spring Steel Deployable Retrofit

Revision C



CAUTION:

1. TURN OFF ALL POWER TO POLE BEFORE SERVICING
2. ONLY QUALIFIED PERSONNEL SHOULD PERFORM INSTALLATION OR SERVICING OF FIXTURES



14. Insert deploy tool and connect to wire band near one of two detents on wire band.
15. Hold leg feet securely to globe. Pull upwards to disengage detent on wire band from light fixture.
16. Remove deploy tool and connect on opposing detent on wire band. Pull upwards to disengage wire band fully from the light fixture. Light engines deploy when wire band reaches base.
17. Remove deploy tool.



THIS LED FIXTURE IS A HIGHLY ADVANCED, ENERGY EFFICIENT PRODUCT THAT WILL PROVIDE THE END USER WITH YEARS OF DEPENDABLE SERVICE. IT WILL DO SO ONLY IF INSTALLED PROPERLY IN ACCORDANCE WITH THE NATIONAL ELECTRIC CODE AND OR LOCAL CODE SPECIFICATIONS. FAILURE TO ADHERE TO THESE CODES AND RESTRICTIONS MAY RESULT IN SERIOUS INJURY, DAMAGE TO ADJACENT EQUIPMENT, FIXTURE AND OR POWER SUPPLY AND WILL VOID THE WARRANTY. THE INSTALLATION INSTRUCTIONS DO NOT SUPPORT ALL DETAILS OR VARIATIONS IN EQUIPMENT, NOR DO THEY PROVIDE FOR ALL POSSIBLE CONTINGENCIES RELATED TO THE INSTALLATION, SERVICE OR MOUNTING SITUATION. SHOULD SPECIFIC PROBLEMS OCCUR THAT ARE NOT COVERED BY THE ATTACHED INSTALLATION INSTRUCTIONS, PLEASE CONTACT YOUR SALES REPRESENTATIVE OR DISTRIBUTOR FOR ASSISTANCE. RETAIN THESE INSTALLATION INSTRUCTIONS FOR FUTURE USE. DO NOT MODIFY THIS LIGHTING DEVICE FOR ANY REASON. THESE DEVICES HAVE BEEN DESIGNED FOR MAXIMUM PERFORMANCE AND EASE OF INSTALLATION. ANY MODIFICATIONS WILL VOID THE WARRANTY.



INSTALLATION INSTRUCTIONS FOR:

Spring Steel Deployable Retrofit

Revision C



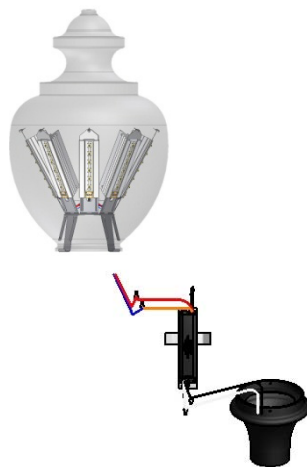
CAUTION:

1. TURN OFF ALL POWER TO POLE BEFORE SERVICING
2. ONLY QUALIFIED PERSONNEL SHOULD PERFORM INSTALLATION OR SERVICING OF FIXTURES



18. To wire the light engine to the power supply:

- a. Connect the red wire from the light engine to the red wire from the power supply
- b. Connect the blue wire from the light engine to the orange wire from the power supply



19. Carefully turn globe over onto fitter and reassemble globe to pole to complete the installation.



THIS LED FIXTURE IS A HIGHLY ADVANCED, ENERGY EFFICIENT PRODUCT THAT WILL PROVIDE THE END USER WITH YEARS OF DEPENDABLE SERVICE. IT WILL DO SO ONLY IF INSTALLED PROPERLY IN ACCORDANCE WITH THE NATIONAL ELECTRIC CODE AND OR LOCAL CODE SPECIFICATIONS. FAILURE TO ADHERE TO THESE CODES AND RESTRICTIONS MAY RESULT IN SERIOUS INJURY, DAMAGE TO ADJACENT EQUIPMENT, FIXTURE AND OR POWER SUPPLY AND WILL VOID THE WARRANTY. THE INSTALLATION INSTRUCTIONS DO NOT SUPPORT ALL DETAILS OR VARIATIONS IN EQUIPMENT, NOR DO THEY PROVIDE FOR ALL POSSIBLE CONTINGENCIES RELATED TO THE INSTALLATION, SERVICE OR MOUNTING SITUATION. SHOULD SPECIFIC PROBLEMS OCCUR THAT ARE NOT COVERED BY THE ATTACHED INSTALLATION INSTRUCTIONS, PLEASE CONTACT YOUR SALES REPRESENTATIVE OR DISTRIBUTOR FOR ASSISTANCE. RETAIN THESE INSTALLATION INSTRUCTIONS FOR FUTURE USE. DO NOT MODIFY THIS LIGHTING DEVICE FOR ANY REASON. THESE DEVICES HAVE BEEN DESIGNED FOR MAXIMUM PERFORMANCE AND EASE OF INSTALLATION, ANY MODIFICATIONS WILL VOID THE WARRANTY.