

RELUME HIGHOUTPUT LED LIGHTING FIXTURES



The energy saving solution for gas station canopies, parking lots, dealerships and many other general downlight applications requiring high light levels.

BRIGHT WHITE LIGHT AND VERY EFFICIENT

Relume white LED light arrays provide crisp high levels of brightness for excellent visibility and safety. Relume's integrated systems approach to fixture design delivers more light with superior color rendering for full balanced illumination and the elimination of dark spots. Designed to work at maximum efficiency in any climate for a wide spectrum of applications. Engineered to never flicker, strobe or buzz like other types of lighting. All Relume PS HO fixtures provide Type V light distribution.

LONG LIFE = LESS MAINTENANCE

Up to 18-years of LED lamp life, versus 3 years for metal halide, means far fewer re-lampings. In fact, maintenance savings alone make Relume LED fixtures less expensive on a lifecycle basis than conventional fixtures.

ENVIRONMENTALLY FRIENDLY

Energy efficient, mercury-free, lead-free, and manufactured from aircraft grade aluminum, this "Full Cut-Off" fixture is compliant with the Dark Skies Initiative, which aims to reduce light pollution and the associated impact on wildlife. Relume's recyclable Low Bay fixtures offer a sustainable solution for your lighting requirements.

50% ENERGY SAVINGS

Relume's Low Bay LED fixtures provide energy savings of up to 50% over conventional HID lighting sources. Plus, our units never contribute to "line noise" or cause circuit fluctuations.

MADE IN AMERICA

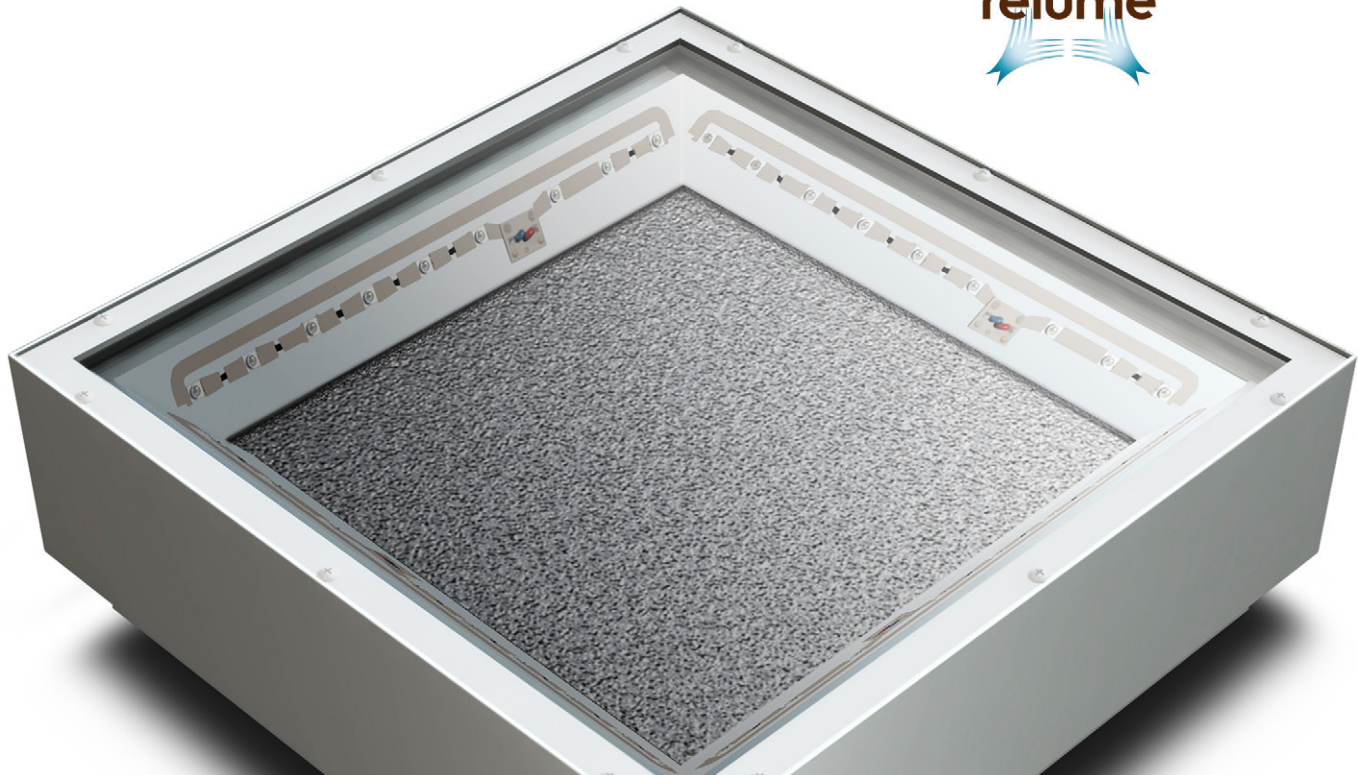
Relume's HighOutput Lighting Solutions are all designed in the USA and MADE IN THE USA at our Michigan Plant!



SILVER CIRCUITRY™

Relume has developed an advanced passive heat sink that maximizes thermal dissipation and reduces LED junction temperatures to one of the lowest in the industry. Less heat allows Relume Low Bay lights to burn brighter and last longer than competing LED fixtures. No matter the climate Relume fixtures work.

For more information, visit www.relume.com or call: (248) 969-3800



Parking Lot and Structure Lighting

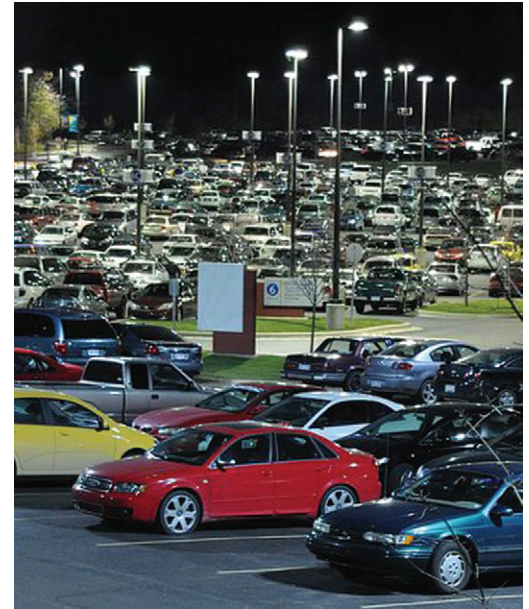
RELUME HIGHOUTPUT LIGHTING FIXTURES



PS-HO Series

- High Brightness
- Reduced Energy Consumption
- Decreased Maintenance
- Eliminated "Dark Areas"
- Relume Silver Circuitry™
- Dark Skies Friendly

Model	PS1-HO	PS2-HO	PS3-HO
LEDs	40	56	80
System Watts	105W	138W	202W
Total Flux (Lumens)	5,655	7,470	11,900
Efficacy (Lumens/Watts)	54	54	58.9
Light Pattern	TYPE V	TYPE V	TYPE V



LED LIGHT COLOR/ QUALITY

High output LEDs range from 5500K to 7000K on the Kelvin temperature scale. They are rated to maintain at least 70% of initial lumen output for 75,000 or more hours at an ambient temperature of 60°F and for 55,000 hours or more at an ambient temperature of 80°F. This means great light and long life in even the most challenging climates including desert communities as well as hot humid coastal locations.

HOUSING

Aircraft Quality 6061 aluminum. Rugged, maintenance free. All PS fixtures are wet rated for outdoor use (IP65) and are powder coated with high performance polyester resin, available in 4 standard colors.

LENSES

Each LED module is protected by a high-impact, UV stabilized, non-yellowing polycarbonate lens. A light dif-fusing prismatic lens is also available (at additional cost).

ELECTRICAL

Each power supply (driver) operates from a 50-60 Hz +/- 3 Hz AC line over a voltage ranging from 120-277 volts. The driver is highly efficient with a power factor of greater than 0.91 and a total harmonic distortion (THD) of less than 20%. Fluctuations in line voltage have no effect on the luminous output. The driver has voltage surge protec-tion to withstand high repetition noise transients while meeting Radio Frequency Interference (RFI) emission limits set forth in FCC Title 47, Subpart B, Section 15. A higher voltage (347-480 volts) 50-60 Hz driver is also available at an additional cost.

WIRING

All wiring conforms to requirements set forth in Section 13.02 of the ITE Publication: Equipment and Material Standards, Chapter 2.

OPTIONS

Contact Relume for information on other options such as control systems to get the most energy efficiency out of Relume's PS-HO products.

ENVIRONMENTAL

All Relume Light engines fully comply with the Restriction of Hazardous Substances Directives (RoHS) adopted in February 2003 by the European Union and are fully recyclable.

QUALITY ASSURANCE

Relume designs and builds its products to meet or exceed industry quality standards and references including FDOT environmental requirements A615-2 (Operating Voltage and Frequency), A615-4 (Temperature and Humidity), A615-5 (Vibration), A615-6 (Shock), A615-7 (Transients: Power Service, Input-Output Terminals and Non-Destruct Transient Immunity). PS-Series fixtures are UL wet rated. In production, each Light engine is burned-in and certified by Relume's internal QA process. A quality control tracking label, including date of manufacture, is mounted on the inside of each fixture for full ISO 9001:2008 compliance.

WARRANTY

Relume guarantees unsurpassed quality by offering an industry leading 7-year limited warranty. Contact Relume for complete warranty language, exceptions, and limitations.

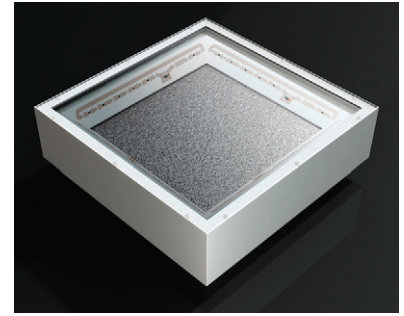
For more information, visit www.relume.com or call: (248) 969-3800

Information provided is subject to change without notice. All values are design or typical values when measured under laboratory conditions.

Parking Lot and Structure Lighting

RELUME HIGHOUTPUT LIGHTING FIXTURES

PS-HO Series



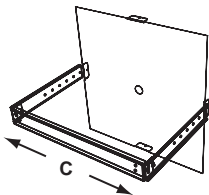
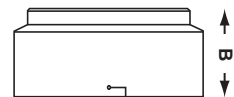
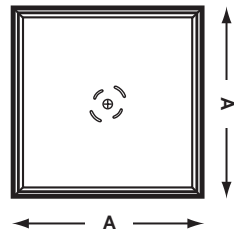
PS-HO Part Numbering Guide:

(MODEL) - (COLOR) - (MOUNTING) - (LENS) - (VOLTAGE) | Example: PS2-HO-AB-T-PR-S

MODEL/PART NUMBER PS1-HO
PS2-HO
PS3-HO

OPTIONS	Color	Mounting Method	Lens ¹	Voltage ²
	(G) - Gray (W) - White (B) - Black (AB) - Architectural Bronze (Non-Hammertone)	(C) - Ceiling/Arm ³ (T) - Trunnion (P) - Pendant	(CL) - Clear (PR) - Prismatic (DP) - Drop (PS1 only) (PL) - Prismatic 303 (PS1, PS2 only)	(S) 120v - 277v (H) 347v - 480v

SPECIFICATIONS



	PS1-HO	PS2-HO	PS3-HO
Initial Delivered Lumens:	5655 lm	7470 lm	11900 lm
System Power:	105w	138w	202w
Weight:	19.5 lbs (8.8 kg)	26.9 lbs (12.2 kg)	42.7 lbs (19.4 kg)
Width (A):	14" (355.6 mm)	18" (157.2 mm)	24" (609.6 mm)
Height (B):	6.50" (165.1 mm)	6.50" (165.1 mm)	6.50" (165.1 mm)
Trunnion Mount (C):	13" (330.2 mm)	17" (431.8 mm)	23" (584.2 mm)

NOTES:

1. Additional Cost for Prismatic, Prismatic 303 or Drop Lens.
2. Additional Cost for 347v-480v power supply.
3. Mounting arm not included.

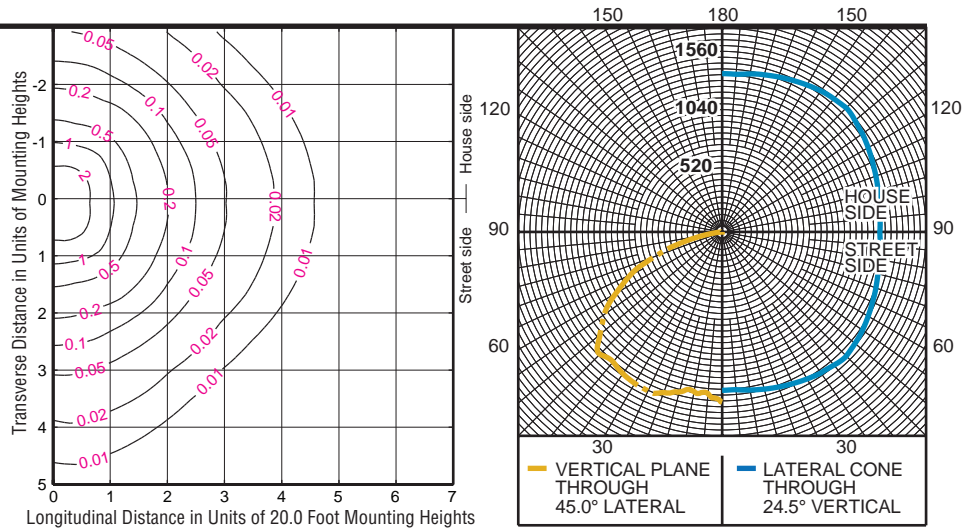
Additional Mounting Options: Relume Low Bay Fixture can also be pendant-mounted using standard conduit light fixture hanger hardware (not provided) contact Relume for details.

For more information, visit www.relume.com or call: (248) 969-3800

PS1-HO

LTL Report #19006

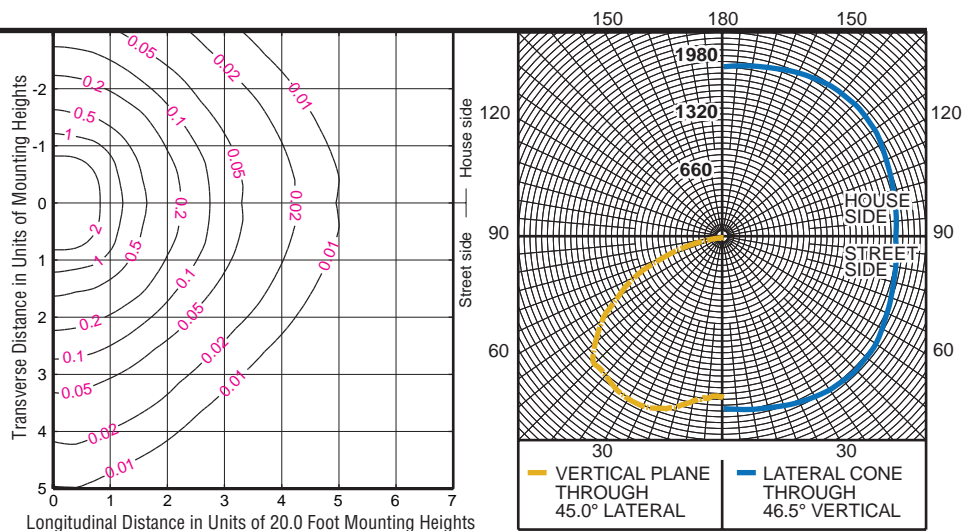
Initial Delivered Lumens: 5655
System Watts: 105W



PS2-HO

LTL Report #18141

Initial Delivered Lumens: 7470
System Watts: 138W



PS3-HO

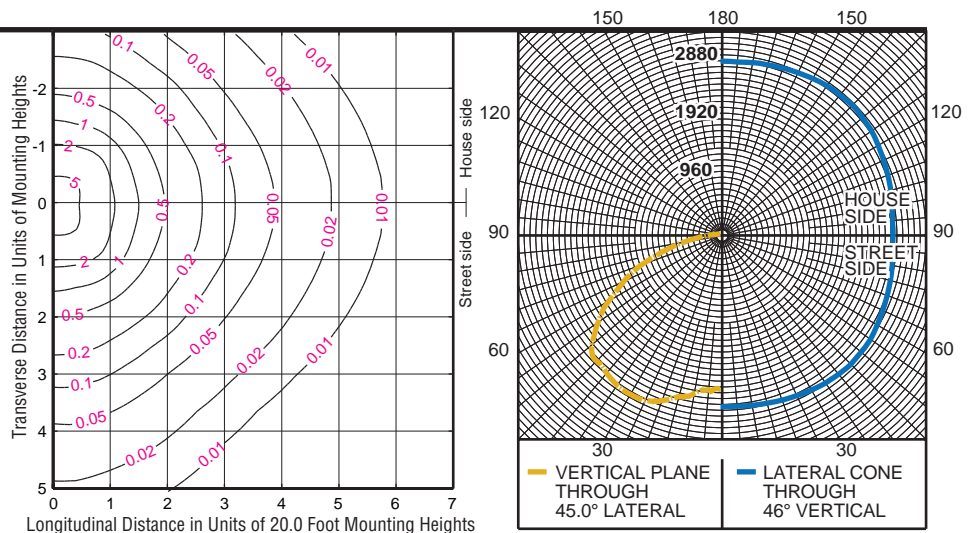
LTL Report #18535

Initial Delivered Lumens: 11,900
System Watts: 202W



All photometric testing was conducted by Luminaire Testing Laboratory, Inc.

Testing was performed in accordance with IES LM-79-08.



For more information, visit www.relume.com or call: (248) 969-3800

Information provided is subject to change without notice. All values are design or typical values when measured under laboratory conditions.