



Pedestrian LED Lighting

ILLUMALINE Linear Area Fixtures

Catalog number:
Type:
Notes:

FEATURES & SPECIFICATIONS

Intended Use

Excellent for enhancing safety and security in pedestrian crosswalks and where light is needed in a long narrow pattern.

Construction

Housing is made from extruded aircraft quality 6061 aluminum and powder coated with high-performance polyester resin for a rugged and maintenance-free life. Proprietary aluminum composite heat management systems ensures excellent thermal management and low LED junction temperatures—the key to long LED life. The LED light engine is protected by a high-impact, UV stabilized, non-yellowing lens.

Electrical

Each power supply (driver) operates over voltages ranging from 120-277 or 377-480 volts (50/60 Hz). The driver is highly efficient with a power factor of greater than 0.98 and a total harmonic distortion (THD) of less than 20%. Fluctuations in line voltage have no effect on luminous output. Drivers have voltage surge protection to withstand high repetition noise transients. Unit meets radio frequency interference (RFI) emission limits set forth in FCC Title 47, Subpart B, Section 15.

Quality Assurance

Relume designs and builds its products to meet or exceed industry-quality standards and references including American National Standards Institute (ANSI), American Society for Testing and Materials International (ASTM), Council of the European Union (EC), Federal Trade Commission (FTC), Illuminating Engineering Society of North America (IESNA or IES), Institute of Electrical and Electronics Engineers (IEEE), National Electrical Manufacturers Association (NEMA), National Fire Protection Association (NFPA), Underwriters Laboratories (UL), Edison Testing Labs (ETL), Design Lights Consortium (DLC) and International Dark Sky (IDA). In production, each light fixture is certified by Relume's internal QA process. A quality control tracking label, including date of manufacture, is mounted on the inside of each fixture for full ISO 9001:2008 compliance. Relume guarantees unsurpassed quality by offering an industry leading 7 year limited warranty.

Installation

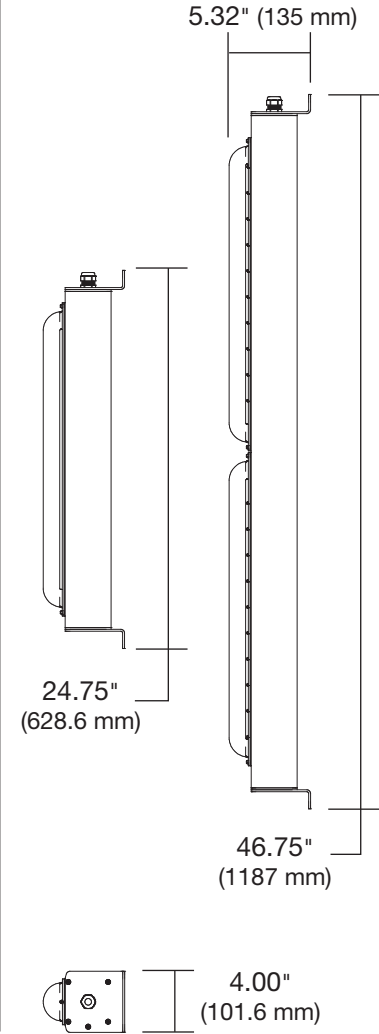
Installation usually takes 15 minutes or less and is easily accomplished by one worker. Connection to a photocell, if required, is straight forward.

Ordering example: P IL 2 CL CW UL1 1 1 AB

FAMILY	TYPE	LENGTH
P = Pedestrian	IL = Illumaline	2 = 2' 4 = 4'

LENS	COLOR TEMP	VOLTAGE	CONTROLS	MOUNTING	EXTERIOR COLOR
CL = Clear DF = Light Diffuse	CW = Cool White (5500K) NW = Neutral White (4500 K) WW = Warm White (3500 K)	Single Circuit UL1 = 120/277 UH1 = 347/480* Dual Circuit UL2 = 120/277 UH2 = 347/480*	1 = Occupancy Sensor X = None	1 = Ceiling 2 = Guide Wire 3 = Wall	AB = Architectural Bronze EG = Electric Grey
* Not control enabled					

ILLUMALINE Linear Area Fixture: Standard Dimensions:



Weight: 9.5 lbs.



Warranty

Relume guarantees unsurpassed quality by offering an industry leading 7 year limited warranty. Contact Relume for complete warranty language, exceptions, and limitations.

Relume ILLUMALINE Linear Area Fixtures FEATURES & SPECIFICATIONS





Pedestrian LED Lighting
ILLUMALINE Linear Area Fixtures

Relume Illumaline Linear Area Fixtures | FEATURES & SPECIFICATIONS

ILLUMALINE

LS Report #29265

Initial Delivered Lumens: 3412
System Watts: 49.4W

WITH CLEAR PLASTIC CURVED LENSES

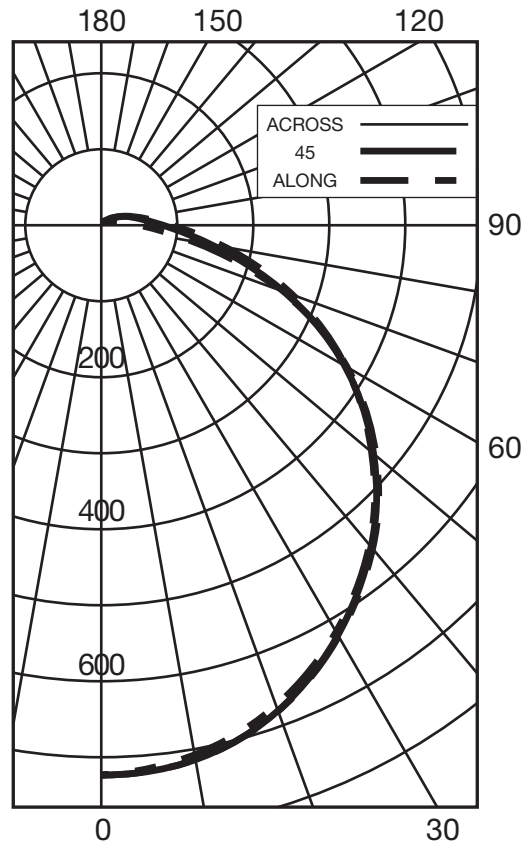
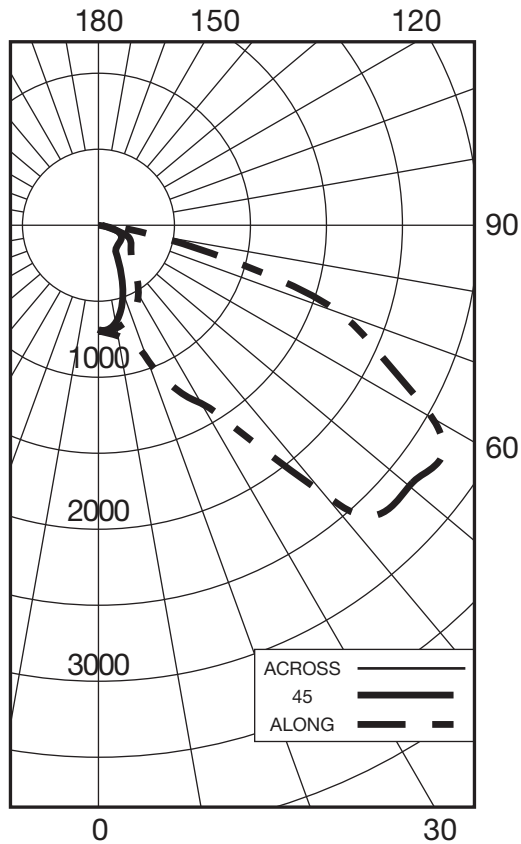
LIGHT OUTPUT			
LUMENS:	3412 lm		
EFFICACY:	69.1 lm/W		
SPECTRAL MEASUREMENTS			
X:	0.3270	Duv:	0.0263
y:	0.2959	CRI(Ra):	75.4
u/u':	0.2218	CRI(R9):	6.7
v:	0.3011	CCT:	7687 K
v':	0.4516	RADIANT FLUX:	11618 mW

LS Report #29266

Initial Delivered Lumens: 2380
System Watts: 49.4W

WITH FROSTED PLASTIC CURVED LENSES

LIGHT OUTPUT			
LUMENS:	2380 lm		
EFFICACY:	48.2 lm/W		
SPECTRAL MEASUREMENTS			
X:	0.3061	Duv:	0.0078
y:	0.3018	CRI(Ra):	76.4
u/u':	0.2037	CRI(R9):	10.6
v:	0.3013	CCT:	7232 K
v':	0.4520	RADIANT FLUX:	8061 mW



EPA (Effective Projected Area): 1.1 ft²

All photometric testing was conducted by Lighting Sciences Inc.
Testing was performed in accordance with IES LM-79-08.

