



# Retrofit Streetlight System

## ILLUMADISK Lighting Fixture

Catalog number:
Type:
Notes:

### FEATURES & SPECIFICATIONS

#### Intended Use

Ideal for lighting main streets, municipalities and parking lots.

#### Construction

Proprietary aluminum heat management systems ensures excellent thermal management and low LED junction temperatures—the key to long LED life. The LED light engine is protected by a high-impact, UV stabilized, non-yellowing lens.

#### Electrical

Each power supply (driver) operates over voltages ranging from 120-277 or 377-480 volts (50/60 Hz). The driver is highly efficient with a power factor of greater than 0.98 and a total harmonic distortion (THD) of less than 20%. Fluctuations in line voltage have no effect on luminous output. Drivers have voltage surge protection to withstand high repetition noise transients. Unit meets radio frequency interference (RFI) emission limits set forth in FCC Title 47, Subpart B, Section 15.

#### Quality Assurance

Relume designs and builds its products to meet or exceed industry-quality standards and references including American National Standards Institute (ANSI), American Society for Testing and Materials International (ASTM), Council of the European Union (EC), Federal Trade Commission (FTC), Illuminating Engineering Society of North America (IESNA or IES), Institute of Electrical and Electronics Engineers (IEEE), National Electrical Manufacturers Association (NEMA), National Fire Protection Association (NFPA), Underwriters Laboratories (UL), Edison Testing Labs (ETL), Design Lights Consortium (DLC) and International Dark Sky (IDA). In production, each light fixture is certified by Relume's internal QA process. A quality control tracking label, including date of manufacture, is mounted on the inside of each fixture for full ISO 9001:2008 compliance. Relume guarantees unsurpassed quality by offering an industry leading 7 year limited warranty.

#### Installation

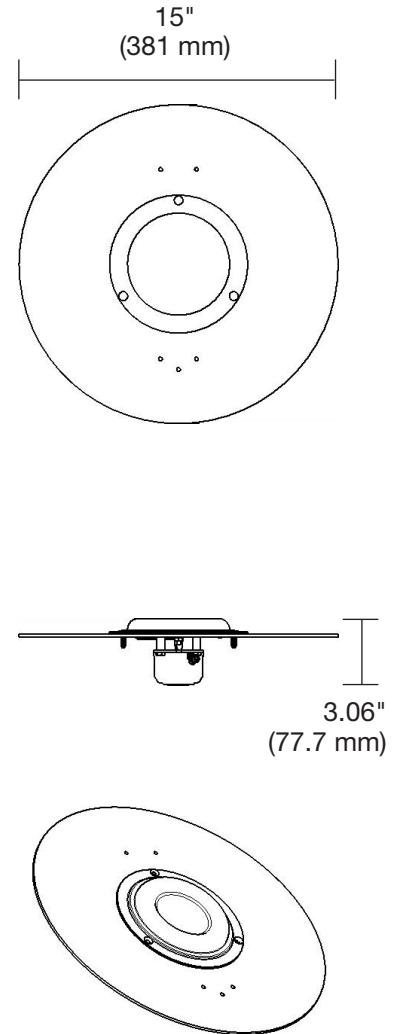
Installation usually takes 15 minutes or less and is easily accomplished by one worker. Connection to a photocell, if required, is straight forward.

Ordering example: P ID D3 CW UL 1 2

FAMILY	TYPE
P = Pedestrian	ID = Illumadisk

DISTRIBUTION	COLOR TEMP	VOLTAGE	CONTROLS	OPTIONS
D3 = Type 3	CW = Cool White (5500K)	UL = 120/277	1 = Sentinel	2 = 20 LED
D5 = Type 5	NW = Neutral White (4500 K)	UH = 347/480	2 = Sentinel Ready	4 = 40 LED
D3C = Type 3, Cutoff	WW = Warm White (3500 K)		X = None	
D5C = Type 5, Cutoff				

### Retrofit Streetlight UA Acorn LED: Standard Dimensions:



Relume Retrofit Streetlight System UA FEATURES & SPECIFICATIONS



#### Warranty

Relume guarantees unsurpassed quality by offering an industry leading 7 year limited warranty. Contact Relume for complete warranty language, exceptions, and limitations.





# Retrofit Streetlight System

## ILLUMADISK Lighting Fixture

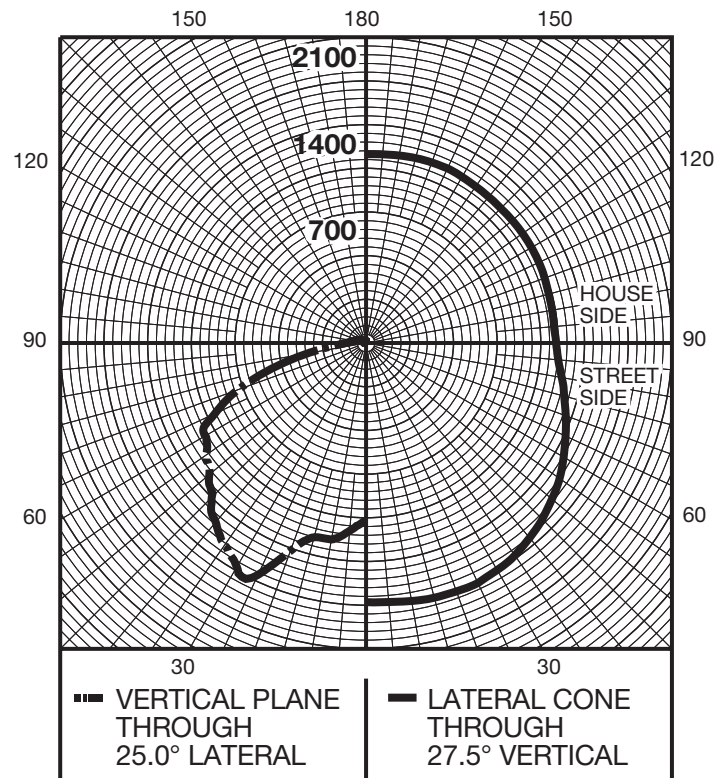
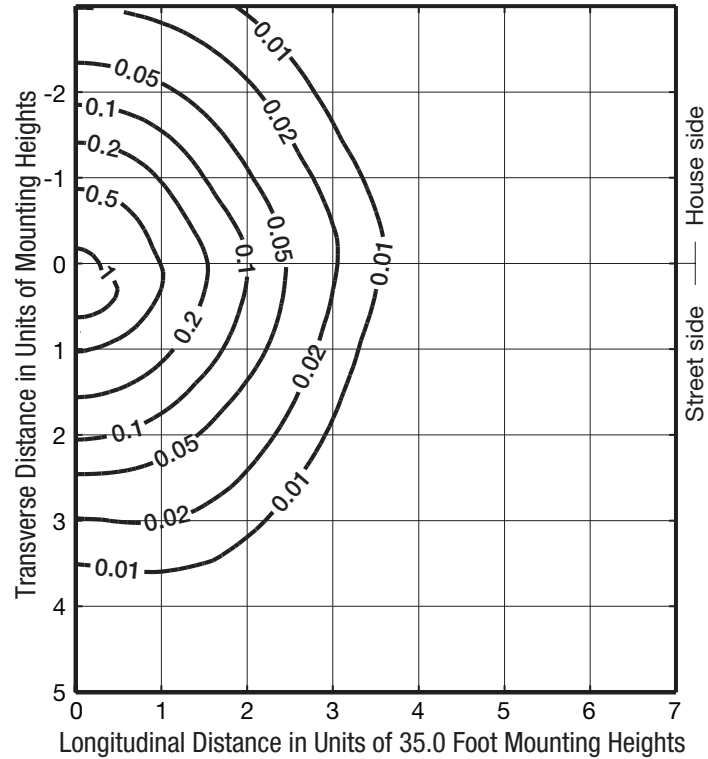
### FEATURES & SPECIFICATIONS

## ILLUMADISK

LTL Report #21387

**Initial Delivered Lumens: 7177**  
**System Watts: 89.16W**

Relume Retrofit Streetlight System | UA FEATURES & SPECIFICATIONS



All photometric testing was conducted by Luminaire Testing Laboratory, Inc.

Testing was performed in accordance with IES LM-79-08.

